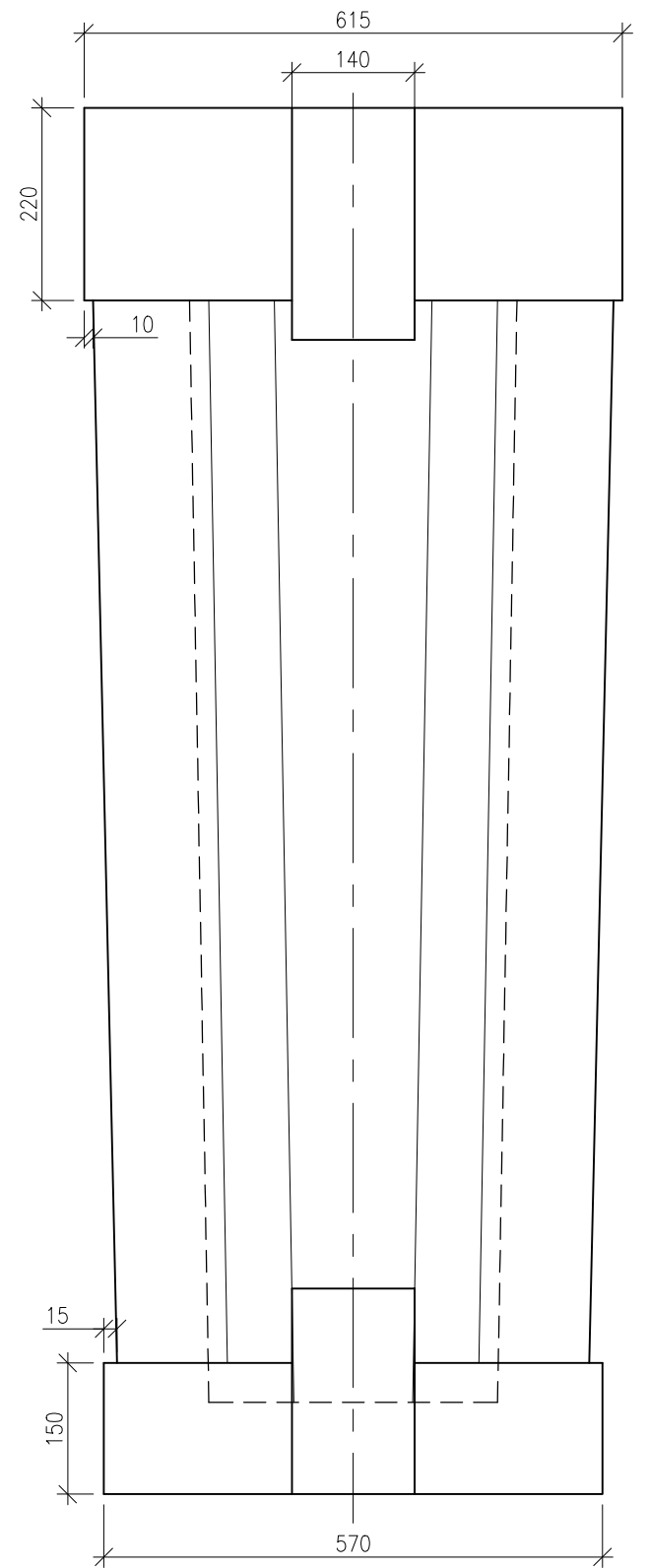
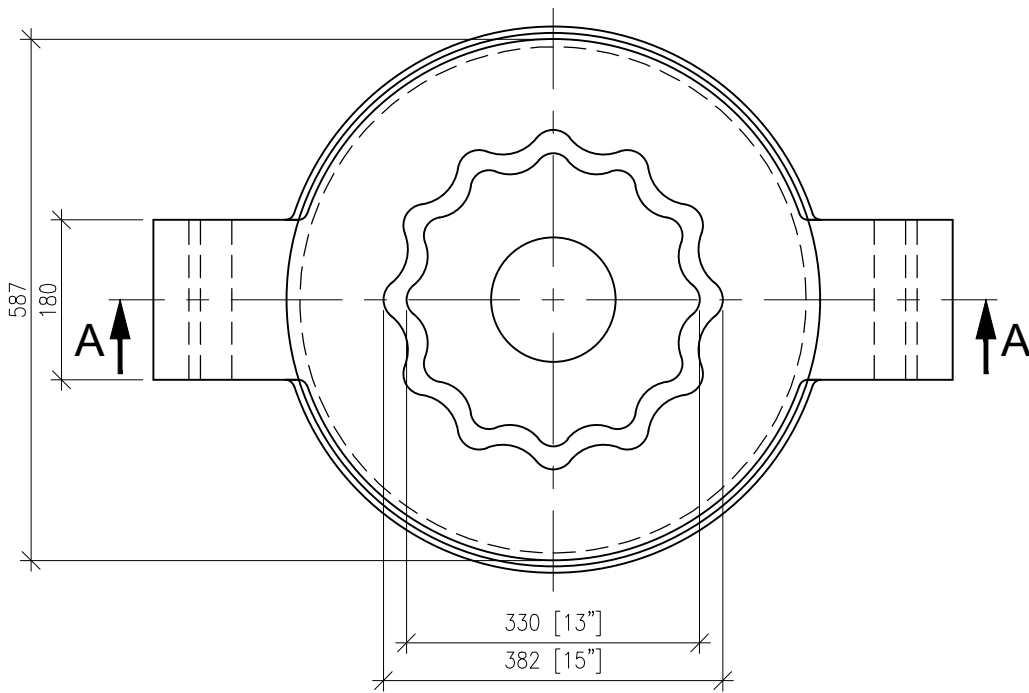



ELEVATION
SECTION - AA



SIDE VIEW



TOP VIEW

TYPE :- SQUARE	MOULD SIZE		APPROVED BY : AKM	
DRG. NO LSL/MLD/007	INCHES 13 X 15 X 62	MM 330 X 380 X 1575	MOULD WEIGHT : 2213 KG	INGOT WEIGHT : 1550 KG
 LAXCON STEELS LIMITED		THIS DRAWING WAS ORIGINATED BY AND IS THE EXCLUSIVE PROPERTY OF LAXCON STEELS LTD. IT IS FURNISHED FOR RECIPIENTS INFORMATION ONLY AND IS NOT AN AUTHORISATION OR LICENSE TO MAKE CONSTRUCTION OR COPIES THEREOF TO FURNISH THIS INFORMATION TO OTHERS.		