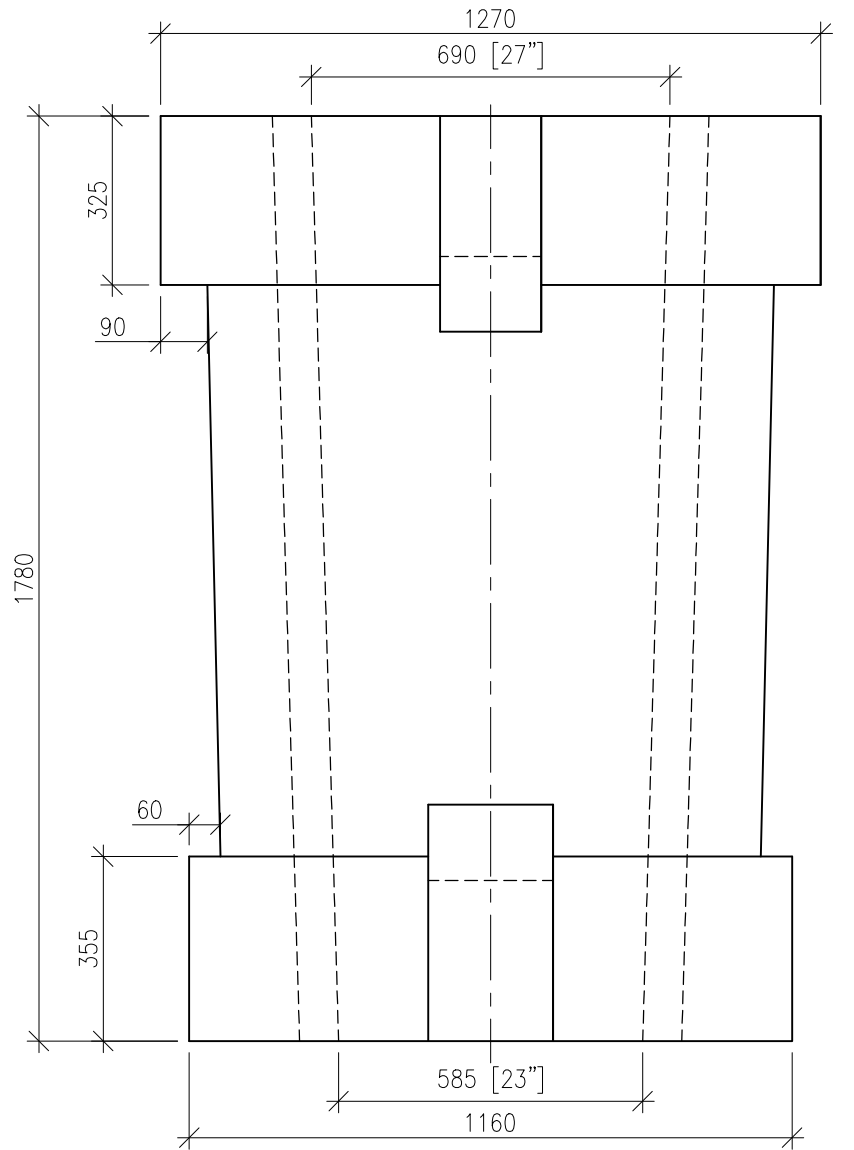
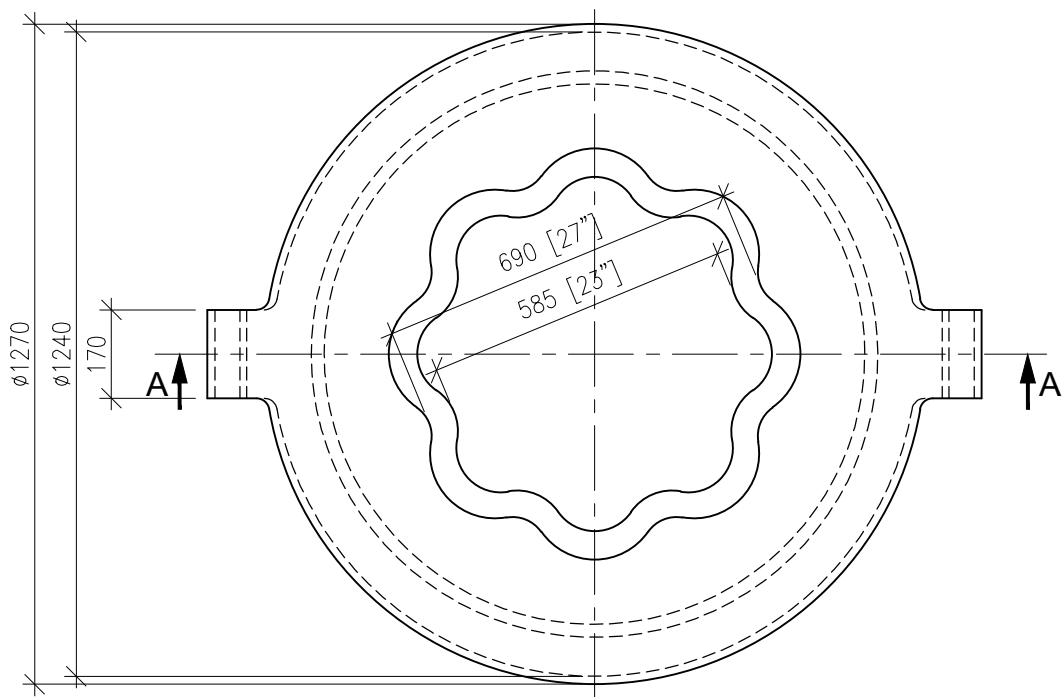



ELEVATION
SECTION - AA



SIDE VIEW



TOP VIEW

TYPE :- FLUTED	MOULD SIZE		APPROVED BY : AKM	
DRG. NO LSL/MLD/013	INCHES 23 X 27 X 70	MM 585 X 685 X 1780	MOULD WEIGHT : 6390 KG	INGOT WEIGHT : 5100 KG
 LAXCON STEELS LIMITED		THIS DRAWING WAS ORIGINATED BY AND IS THE EXCLUSIVE PROPERTY OF LAXCON STEELS LTD. IT IS FURNISHED FOR RECIPIENTS INFORMATION ONLY AND IS NOT AN AUTHORISATION OR LICENSE TO MAKE CONSTRUCTION OR COPIES THEREOF TO FURNISH THIS INFORMATION TO OTHERS.		