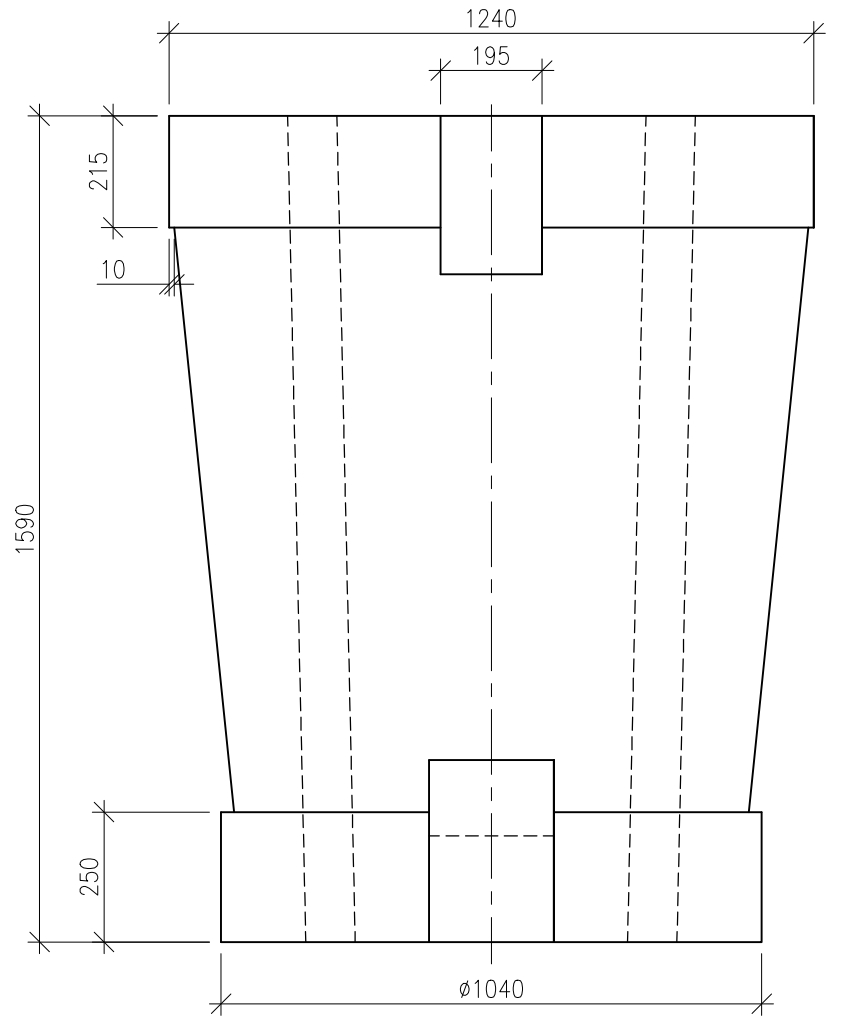
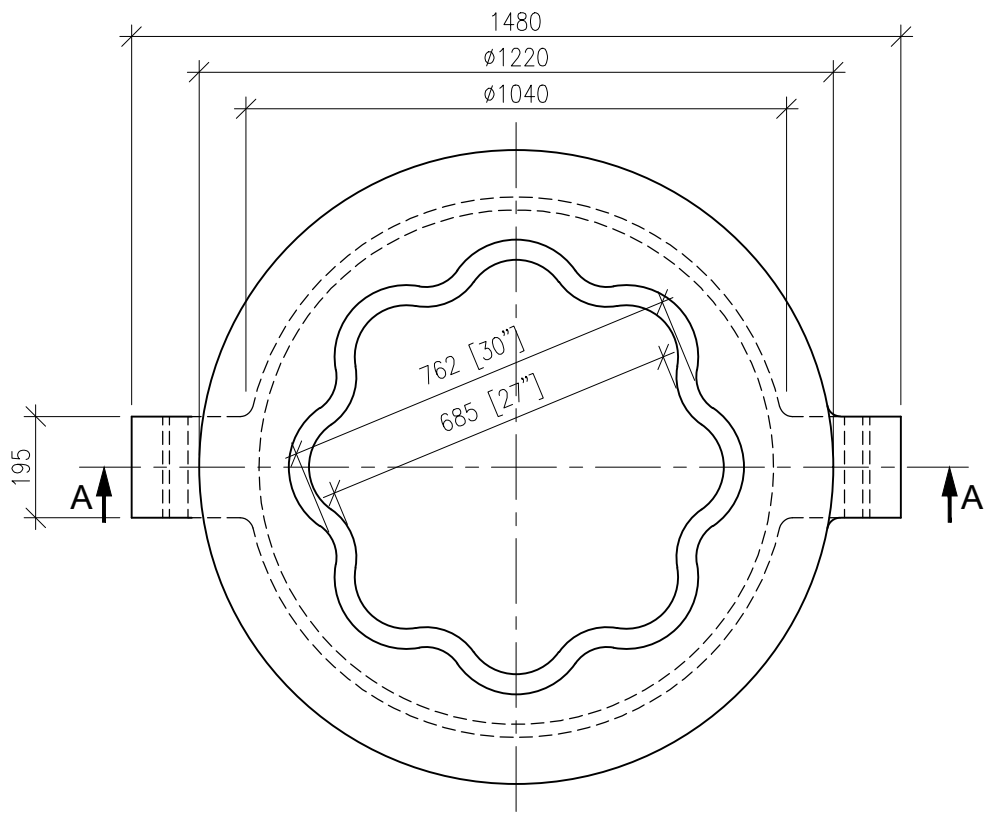



ELEVATION  
SECTION - AA



SIDE VIEW



TOP VIEW

TYPE :- FLUTED	MOULD SIZE		APPROVED BY : AKM	
DRG. NO LSL/MLD/014	INCHES 26 X 31 X 62	MM 660 X 787 X 1575	MOULD WEIGHT : 6400 KG	INGOT WEIGHT : 6100 KG
 <b>LAXCON STEELS LIMITED</b>		THIS DRAWING WAS ORIGINATED BY AND IS THE EXCLUSIVE PROPERTY OF LAXCON STEELS LTD. IT IS FURNISHED FOR RECIPIENTS INFORMATION ONLY AND IS NOT AN AUTHORISATION OR LICENSE TO MAKE CONSTRUCTION OR COPIES THEREOF TO FURNISH THIS INFORMATION TO OTHERS.		